

Technical data sheet

Connector system S-LWL-16B 2000BP- Robust fiber optic connector system for heavy duty applications

Status 02.06.2021

page 1 of 9

AUTOMATION
STECKVERBINDER
KONFEKTIONIERT LEITUNGEN



description

Robust fiber optic connector system for a wide variety of industrial applications. Thanks to a modern design with internal seals, the system is extremely well protected against external weather and environmental influences. This connector system enables the use of sensitive fiber optic technology under the harshest conditions such as in mining or offshore technology. The user-friendly packaging as well as the ease of repair offer great advantages and a long-lasting product under all conditions of use.

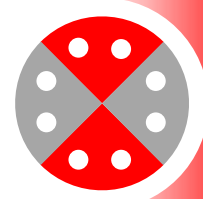
Changes, additions and errors reserved

KROTT ELECTRONIC GMBH

MÜNSTERAU 215
D-52224 Stolberg

Telefon +49(0) 2402 127 200
Fax +49(0) 2402 127 204

E-Mail info@krott-electronic.de
Web www.krott-electronic.de



Technical data sheet

Connector system S-LWL-16B 2000BP- Robust fiber optic connector system for heavy duty applications

Status 02.06.2021

page 2 of 9

AUTOMATION
STECKVERBINDER
KONFEKTIONIERT LEITUNGEN

optical fiber Data

Number of channels	6
Connector type	Insertion loss (IL in dB)
Multimode 0° (PC)	typ. 0,15 max. 0,4
Singlemode 0° (PC)	typ. 0,2 max. 0,4
Singlemode 8° (APC)	typ. 0,2 max. 0,4
Service life (mating cycles)	1000
Ferrule size	2,5mm
Dust and laser protection on the connectors	

Environmental conditions

Storage and operation	-20 °C to 70 °C
-----------------------	-----------------

Protection class

IP	IP67 when mated
----	-----------------

Materials

Housing material	Stainless steel, alloy with excellent corrosion resistance (additional surface coating possible on request)
Insulating body	
Material	plastic
Flammability	UL94-V0
colour	depending on the design
Dowel pin and screws	stainless steel
Seals	NBR, EPDM, Silikon

Weights

Flange socket	ca. 1,2kg
Flange connector	ca. 1,3kg
Coupling cable gland	ca. 1,6kg
Coupling cable protection hose	ca. 2,6kg
Connector cable gland	ca. 1,8kg
Connector cable protection hose	ca. 2,2kg

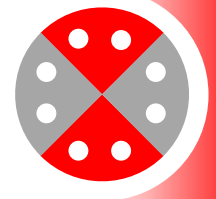
Changes, additions and errors reserved

KROTT ELECTRONIC GMBH

MÜNSTERAU 215
D-52224 Stolberg

Telefon +49(0) 2402 127 200
Fax +49(0) 2402 127 204

E-Mail info@krott-electronic.de
Web www.krott-electronic.de



Technical data sheet

Connector system S-LWL-16B 2000BP- Robust fiber optic connector system for heavy duty applications

Status 02.06.2021
page 3 of 9

AUTOMATION
STECKVERBINDER
KONFEKTIONIERT LEITUNGEN

Article number key connector system

Connectors	S-	LWL-				
LWL	Fibre optic					
Modell	With union nut		1			
Size	2 phase (in preparation)			2		
Phaser number	4 phase (in preparation)			4		
	6 phase			6		
	12 phase			12		
Type	Mining and heavy industry				B	
	food				N	
	Maritime				M	
Design	Connector cable gland				S	
	Connector cable protection hose				HS	
	Flange connector				FS	
	Coupling cable gland				K	
	Coupling cable protection hose				KS	
	Flange socket				F	
Fiber optic system	For the assembly of * is assigned systematically					2000BP

*) Others on request

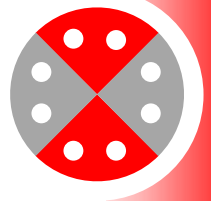
Changes, additions and errors reserved

KROTT ELECTRONIC GMBH

MÜNSTERAU 215
D-52224 Stolberg

Telefon +49(0) 2402 127 200
Fax +49(0) 2402 127 204

E-Mail info@krott-electronic.de
Web www.krott-electronic.de



Technical data sheet

Connector system S-LWL-16B 2000BP- Robust fiber optic connector system for heavy duty applications

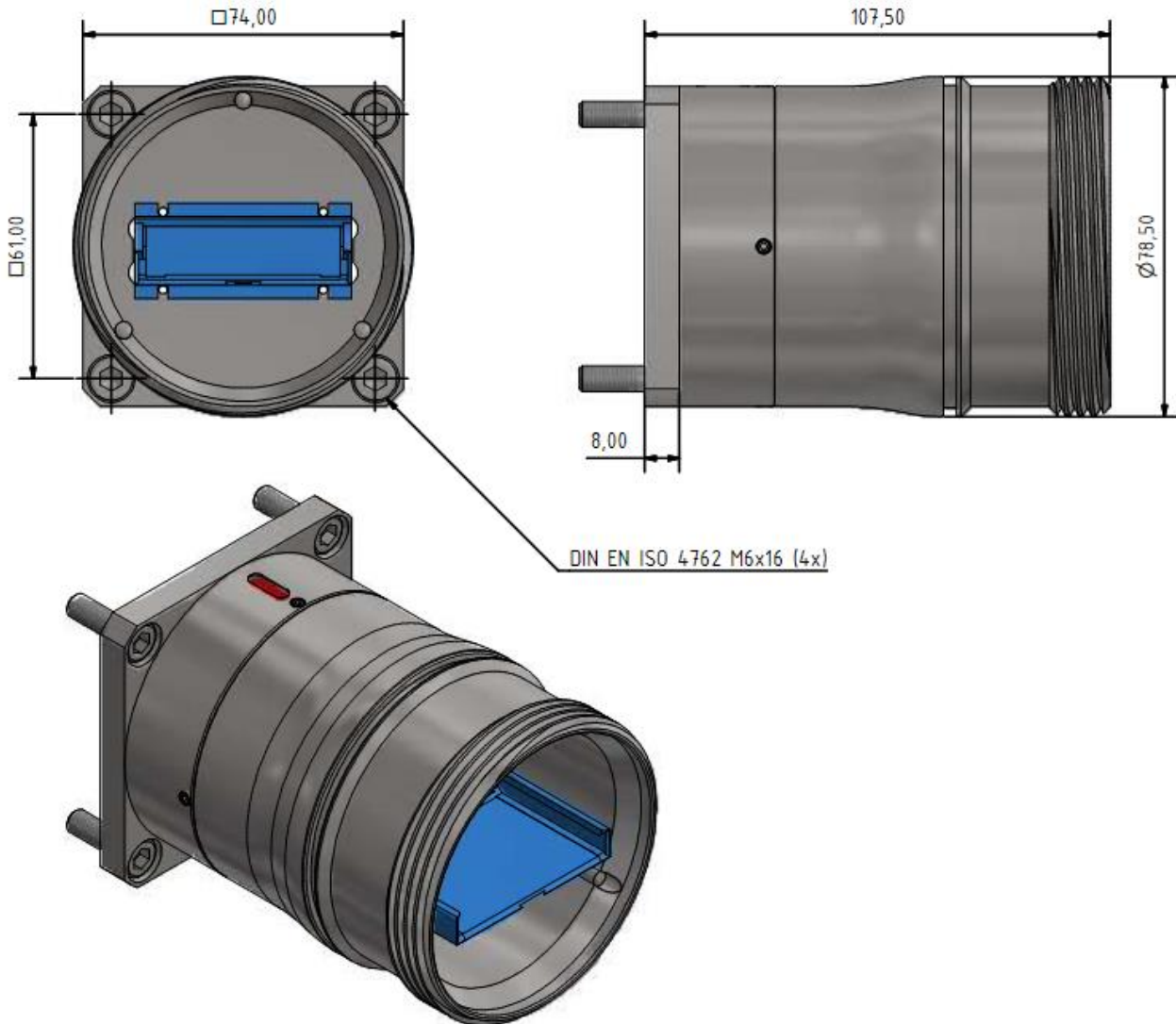
Status 02.06.2021

page 4 of 9

AUTOMATION
STECKVERBINDER
KONFEKTIONIERTE LEITUNGEN

Dimensions

Flange socket



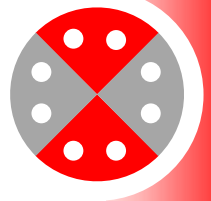
Changes, additions and errors reserved

KROTT ELECTRONIC GMBH

MÜNSTERAU 215
D-52224 Stolberg

Telefon +49(0) 2402 127 200
Fax +49(0) 2402 127 204

E-Mail info@krott-electronic.de
Web www.krott-electronic.de



Technical data sheet

Connector system S-LWL-16B 2000BP- Robust fiber optic connector system for heavy duty applications

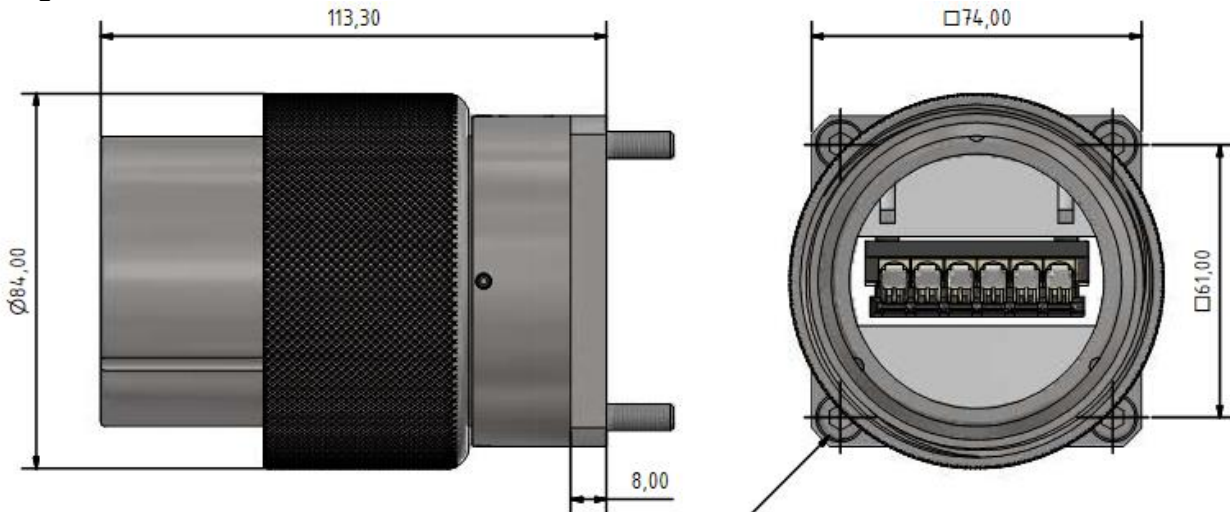
Status 02.06.2021

page 5 of 9

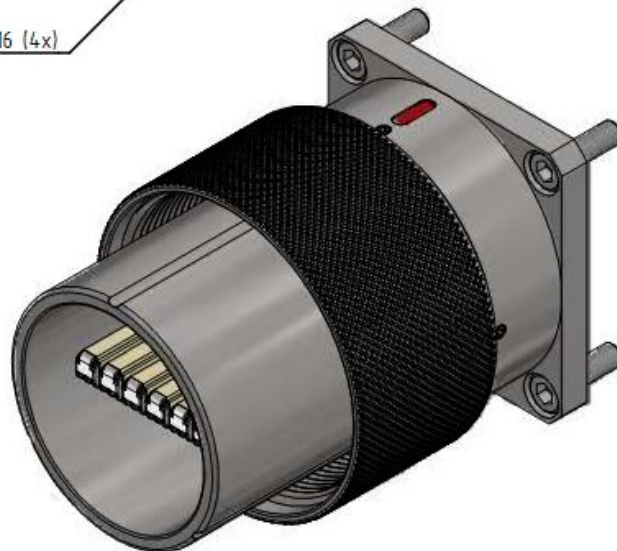
AUTOMATION
STECKVERBINDER
KONFEKTIONIERTE LEITUNGEN

Dimensions

Flange connector



DIN EN ISO 4762 M6x16 (4x)



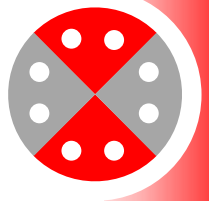
Changes, additions and errors reserved

KROTT ELECTRONIC GMBH

MÜNSTERAU 215
D-52224 Stolberg

Telefon +49(0) 2402 127 200
Fax +49(0) 2402 127 204

E-Mail info@krott-electronic.de
Web www.krott-electronic.de



Technical data sheet

Connector system S-LWL-16B 2000BP- Robust fiber optic connector system for heavy duty applications

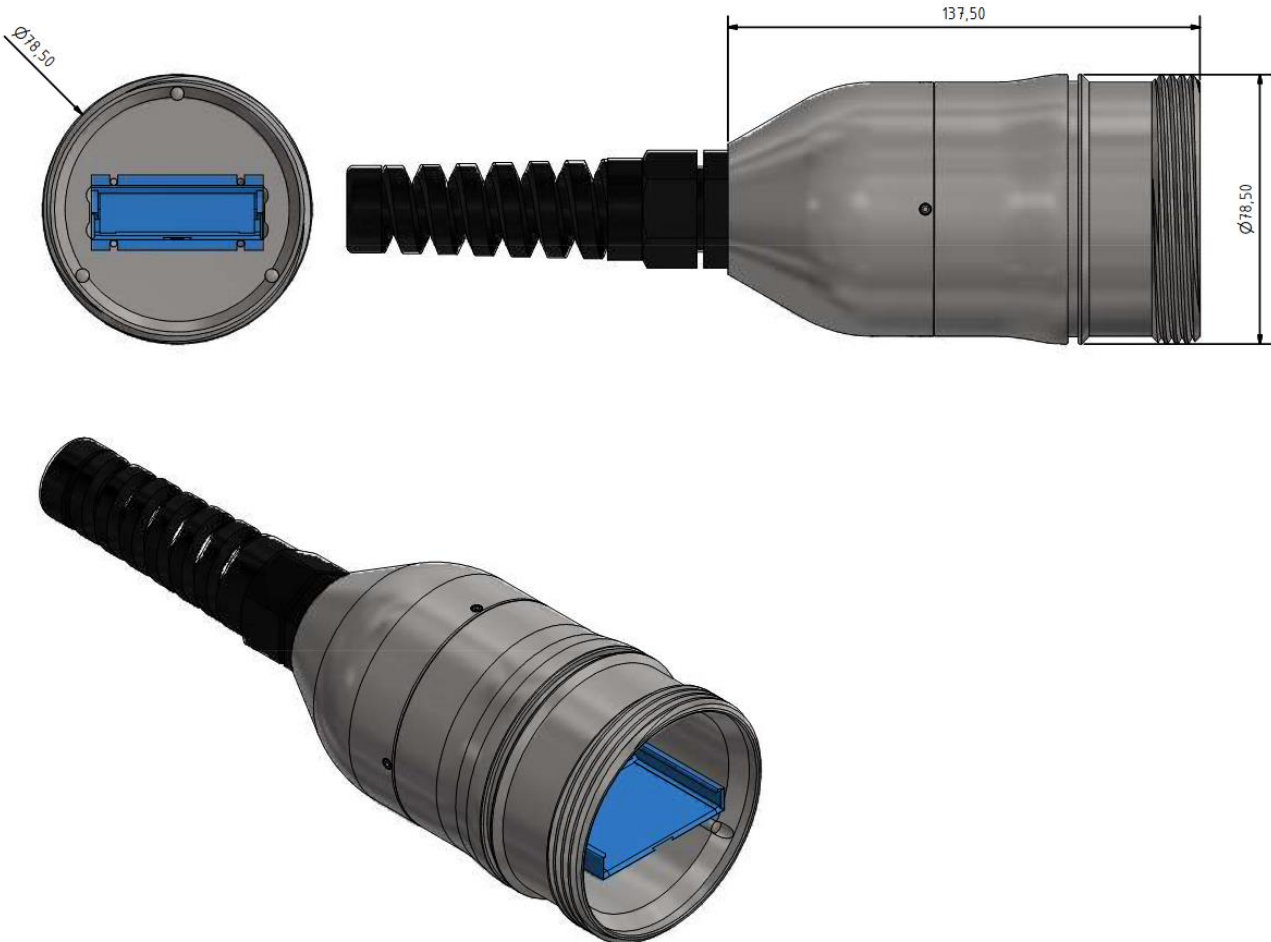
Status 02.06.2021

page 6 of 9

AUTOMATION
STECKVERBINDER
KONFEKTIONIERTER LEITUNGEN

Dimensions

Coupling cable gland



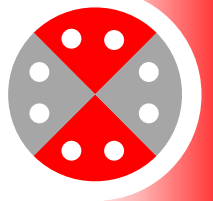
Changes, additions and errors reserved

KROTT ELECTRONIC GMBH

MÜNSTERAU 215
D-52224 Stolberg

Telefon +49(0) 2402 127 200
Fax +49(0) 2402 127 204

E-Mail info@krott-electronic.de
Web www.krott-electronic.de



Technical data sheet

Connector system S-LWL-16B 2000BP- Robust fiber optic connector system for heavy duty applications

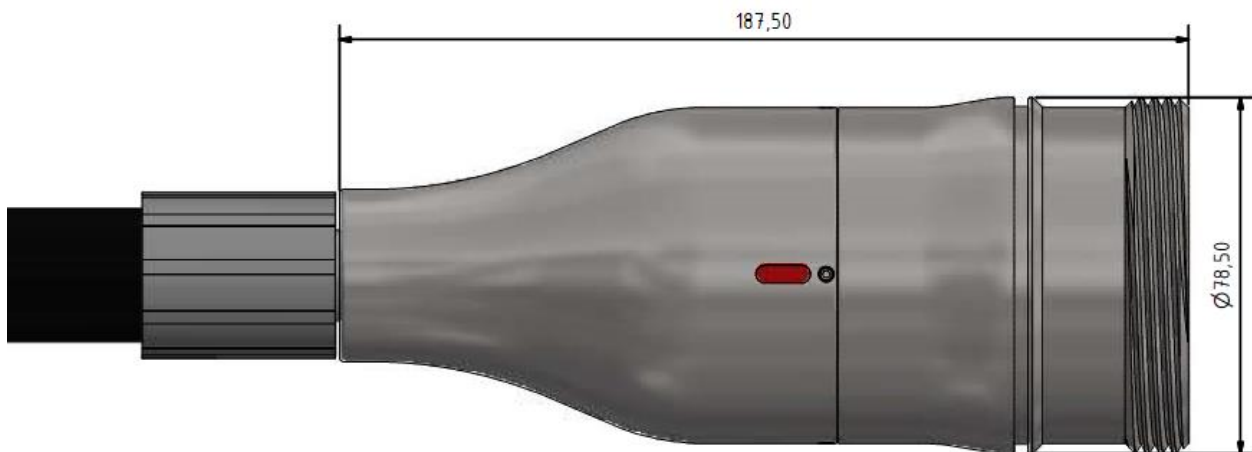
Status 02.06.2021

page 7 of 9

AUTOMATION
STECKVERBINDER
KONFEKTIONIERTER LEITUNGEN

Dimensions

Coupling cable protection hose



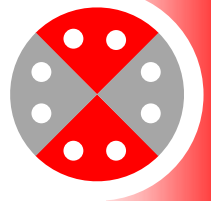
Changes, additions and errors reserved

KROTT ELECTRONIC GMBH

MÜNSTERAU 215
D-52224 Stolberg

Telefon +49(0) 2402 127 200
Fax +49(0) 2402 127 204

E-Mail info@krott-electronic.de
Web www.krott-electronic.de



Technical data sheet

Connector system S-LWL-16B 2000BP- Robust fiber optic connector system for heavy duty applications

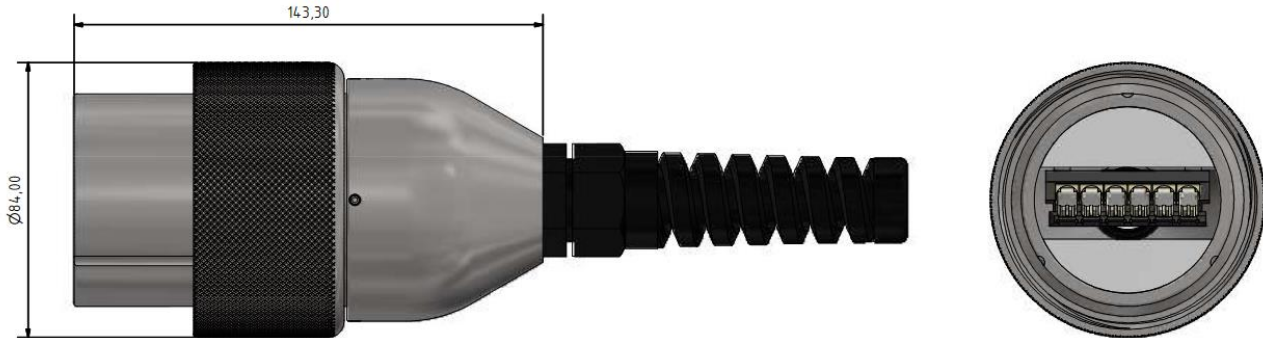
Status 02.06.2021

page 8 of 9

AUTOMATION
STECKVERBINDER
KONFEKTIONIERTE LEITUNGEN

Dimensions

Connector cable gland



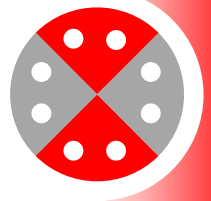
Changes, additions and errors reserved

KROTT ELECTRONIC GMBH

MÜNSTERAU 215
D-52224 Stolberg

Telefon +49(0) 2402 127 200
Fax +49(0) 2402 127 204

E-Mail info@krott-electronic.de
Web www.krott-electronic.de



Technical data sheet

Connector system S-LWL-16B 2000BP- Robust fiber optic connector system for heavy duty applications

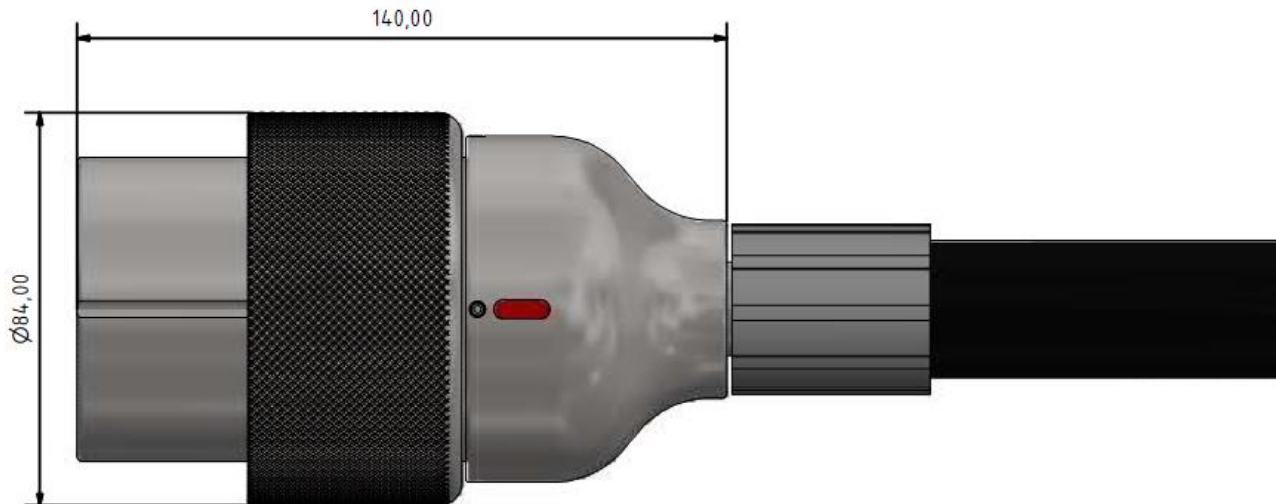
Status 02.06.2021

page 9 of 9

AUTOMATION
STECKVERBINDER
KONFEKTIONIERTER LEITUNGEN

Dimensions

Connector cable protection hose



Changes, additions and errors reserved

KROTT ELECTRONIC GMBH

MÜNSTERAU 215
D-52224 Stolberg

Telefon +49(0) 2402 127 200
Fax +49(0) 2402 127 204

E-Mail info@krott-electronic.de
Web www.krott-electronic.de